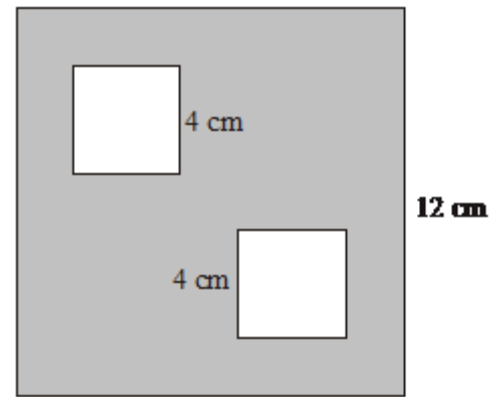


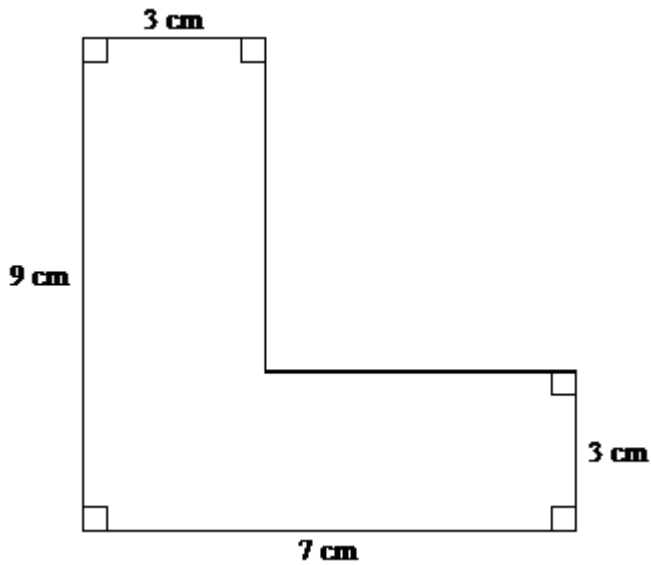
Problem Solving With Area

1. Two squares of side 4 cm are removed from a square of side 12 cm as shown.

Work out the shaded area.



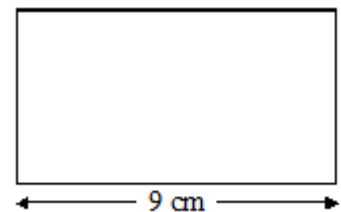
(Total 3 Marks)



2. Calculate the area of this shape.

You **must** show all your working.

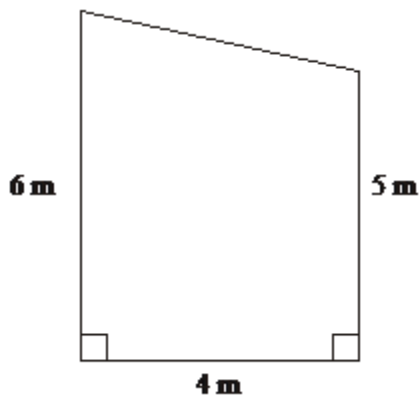
(Total 3 marks)



(Total 3 marks)

3. The length of a rectangle is 9 cm.
The perimeter of the rectangle is 28 cm.

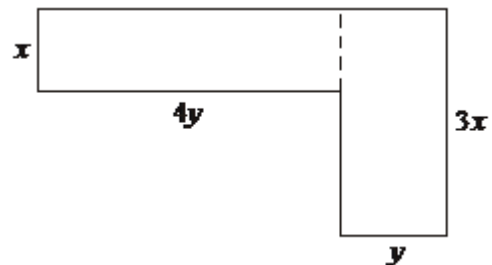
Calculate the width of the rectangle.



4. The diagram shows the side wall of a building.

Calculate the area of the wall.

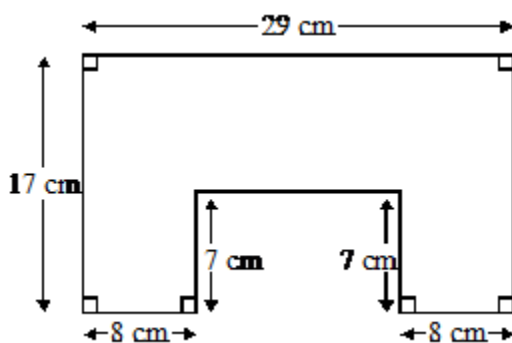
(Total 4 marks)



5. This shape is made up of rectangles.

Write down an expression, in terms of x and y , for the **perimeter** of the shape.

(Total 2 Marks)



6. Calculate the area of the shape.

(Total 3 marks)