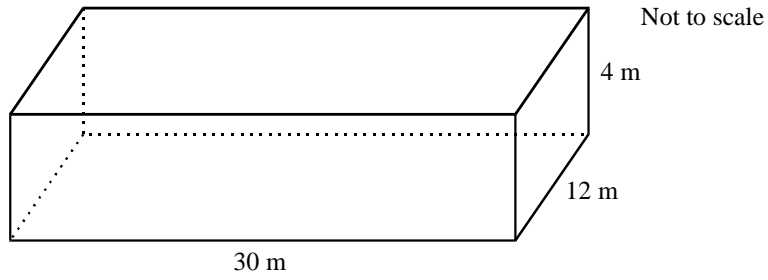


1. A school hall is in the shape of a cuboid.



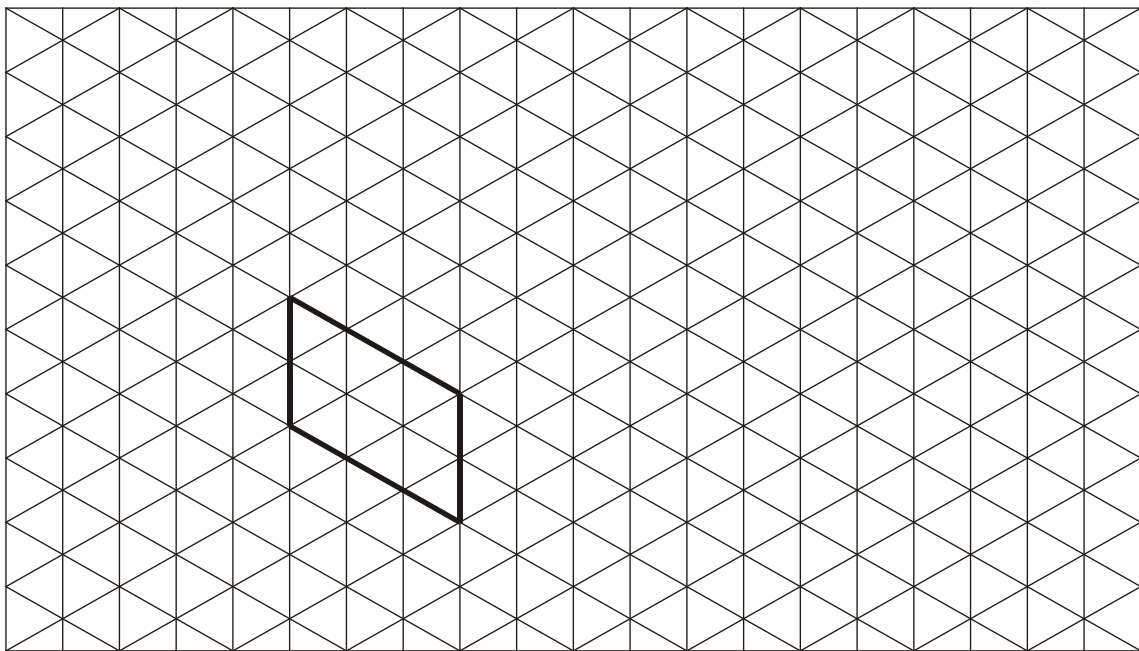
- (a) The school hall is 30 m long, 12 m wide and 4 m high.
Calculate the volume of the hall.

.....
.....

Answer m³

(2)

2. (a) On the isometric grid complete the drawing of a cuboid 4 cm by 3 cm by 2 cm.



(2)

- (b) Calculate the volume of the cuboid.

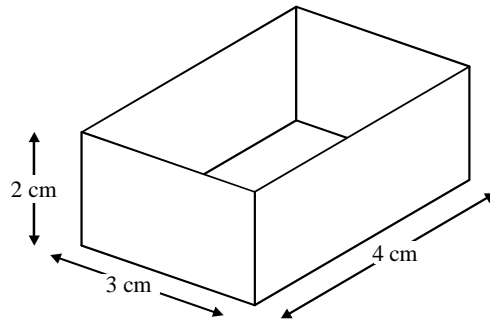
.....
.....
.....

Answer cm³

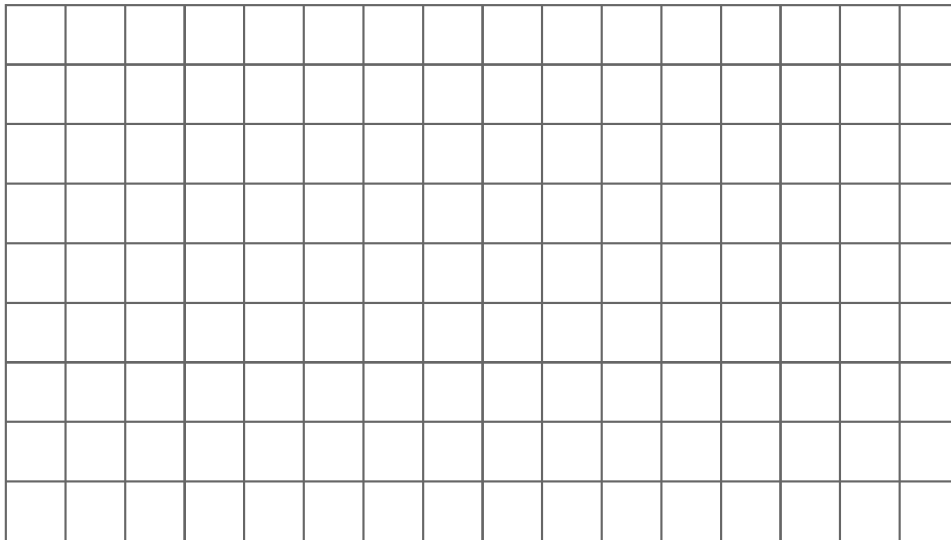
(2)

(Total 4 marks)

3. This box has the shape of a cuboid.
It has no lid.



- (a) Draw an accurate net of the box.



(3)

- (b) Find the volume of the box.

.....
.....

Answer cm³

(2)

- (c) How many planes of symmetry has a cuboid?

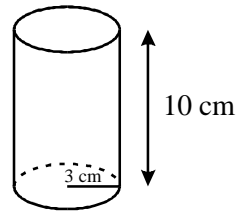
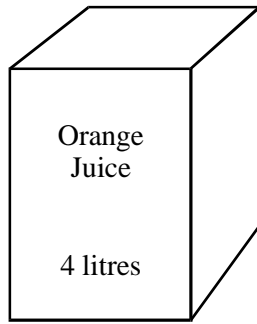
.....
.....

Answer

(2)

(Total 7 marks)

- 4. A large carton contains 4 litres of orange juice.
Cylindrical glasses of height 10 cm and radius 3 cm are to be filled from the carton.



How many glasses can be filled?
You **must** show all your working.

.....

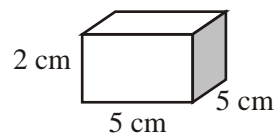
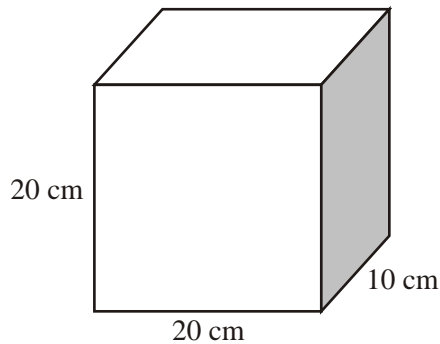
.....

.....

Answer glasses
(Total 5 marks)

- 5. The diagram shows two boxes that are cuboids.
The larger box measures 20 cm by 10 cm by 20 cm.
It is partly filled with 70 smaller boxes each measuring 5 cm by 5 cm by 2 cm.
The smaller boxes are packed so that there are no gaps between them.

Not drawn accurately



How many more smaller boxes could be fitted in the larger box?

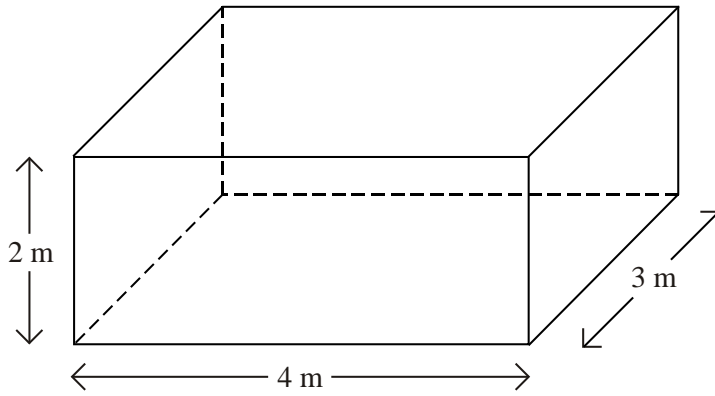
.....

.....

.....

Answer
(Total 4 marks)

6. The diagram shows a container in the shape of a cuboid.



Not drawn accurately

(a) Work out the volume of the container.
State the units of your answer.

.....

Answer

(3)

(b) Ben wants to paint the four outside walls and the top of the container.
One tin of paint covers 6 m^2 .

How many tins of paint does Ben need?
You **must** show your working.

.....

Answer

(4)

(Total 7 marks)